

Technical Manual

K2.S5500



ACOUSTIC & ELECTRICAL SPECIFICATIONS:

- Nominal Impedance: 4 ohms
 - Max Amp Power: 300 watts*
(2 x 300 for bi-amp)
 - Frequency Response: 35Hz-20kHz (-6dB)
48Hz-18kHz (+/-2.5dB)
 - Sensitivity: 95dB
 - Crossover Frequency: 800Hz
- SYSTEM COMPONENTS:**
- Cabinet: K2.S5500 (Not for Sale)
 - Grille: G5500
 - Lower frequency Transducer(s): (2) LE125S, Combination fiber-glass/Aquaplas diaphragm with 300mm (12inch) diecast aluminum chassis, Shielded 74878 (LE125S-12).
 - DC Resistance: 8 ohms ±10%
 - High frequency Transducer: 275Nd compression driver with titanium diaphragm, Shielded 73988.
 - DC Resistance: 3.2 ohms ±10%
 - Crossover Network:
 - Network, L.F. 74713-02
 - Network, H.F. 74713-01 or 71918

- Enclosure dimensions: (12.51mm x 499mm x 410mm)
49-1/4”h x 19-5/8”w x 16-1/8”d
- Weight: 210 lb (95 kg)

AURAL SWEEP TEST SPECIFICATIONS:

- System Aural Sweep Test 6.0V Input 30 Hz to 20 kHz
- L.F. Aural Sweep Test 5.0V Input 30 Hz to 1 kHz
- H.F. Aural Sweep Test 2.83V Input 500Hz to 20 kHz

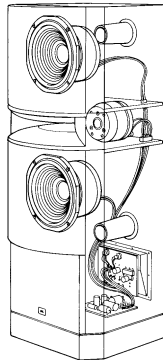
WARRANTY:

- Refer to Warranty Statement packed with each product.

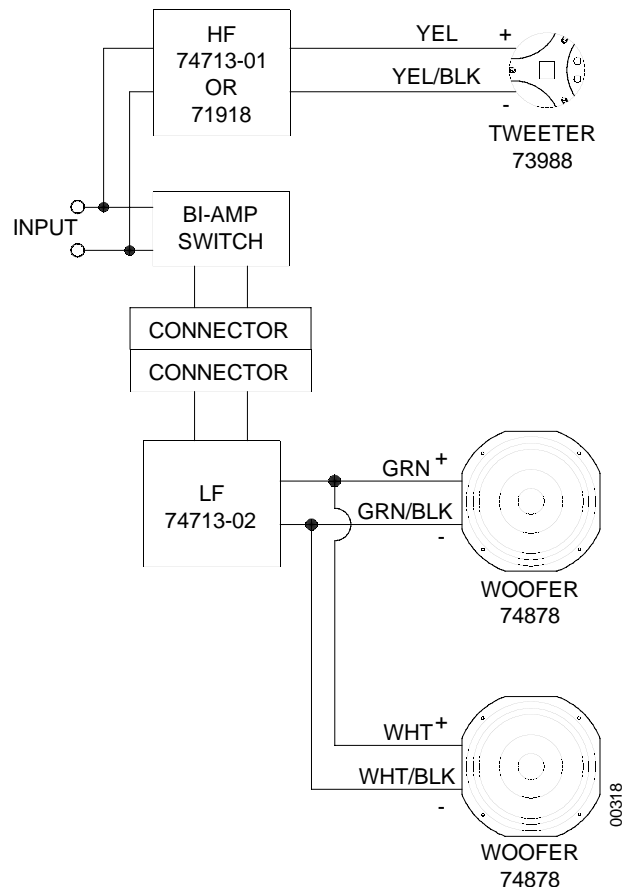
* The maximum recommended amplifier power rating will ensure proper system headroom to allow for occasional peaks. We do not recommend sustained operation at these maximum power levels.

PARTS LIST

DESCRIPTION	PART NO.
HORN	75015
BATTERY COVER	75033
PORT TUBE	70515-03
GRILLE CUP (8)	72546
LOGO, JBL	74714
GASKET, WOOFER	74062
OWNERS MANUAL	75075
CARTON	75296
TOP END PAD	75298
BOTTOM END PAD	75299
SPACER SCREW	71885
BASE SPACER WHEEL	71880
WOOFER CONE KIT	C12RLE125
BATTERY HOLDER	12BH610
BINDING POST SET	90031-C
BINDING POST (BLK)	SCT-CLB35-B
BINDING POST (RED)	SCT-CLB35-R



WIRING DIAGRAM

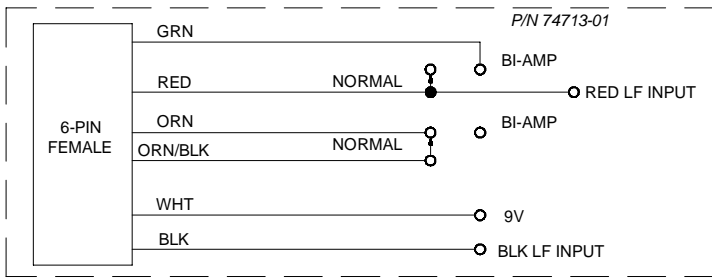


K2.S5500

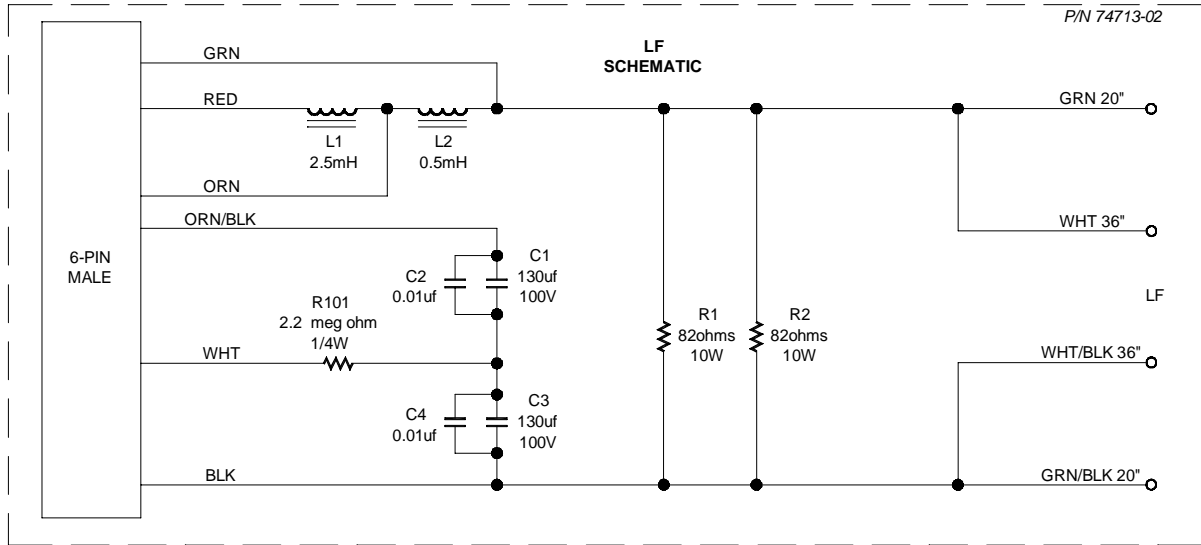
Technical Manual

K2.S5500

SCHEMATICS



Bi-Amp Switch - Shared with L.F.
 Bi-Amp Switch:
 4 Section, 2 Position Rotary with Slot.
 Connect 2 Sections in Parallel for
 Inductor Bi-Pass Wiring (Higher Current)



00316

